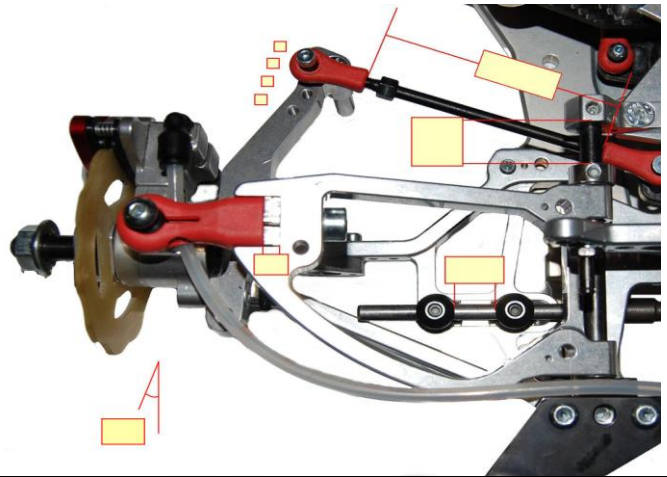
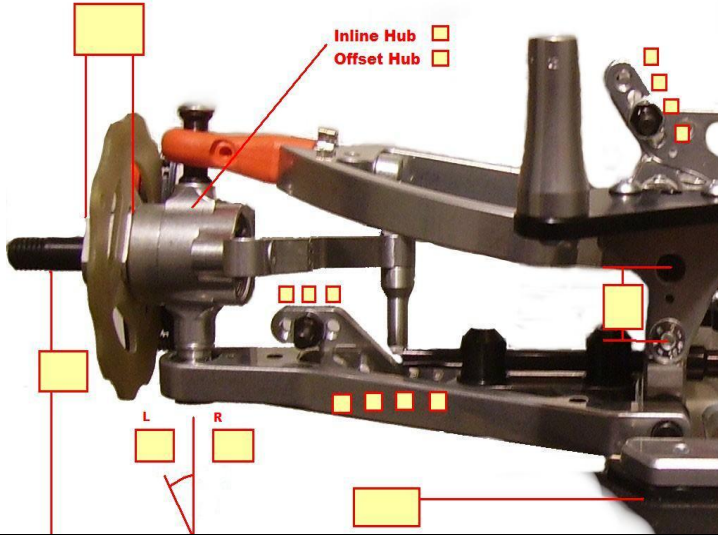


Driver Weather Body Air Filter

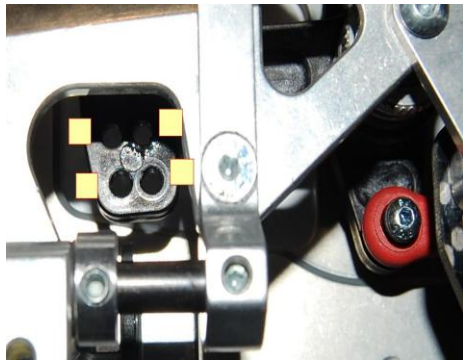
Date Air Temp Engine Clutch

Track Track Temp Exhaust Diff

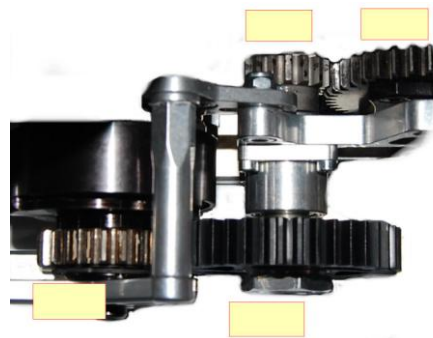
Front Axle



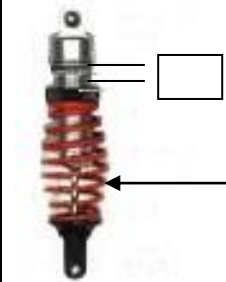
Servo Saver



Gear Ratio



Front Shock



Piston

Oil

Click Shocks

C R

Rear Shock



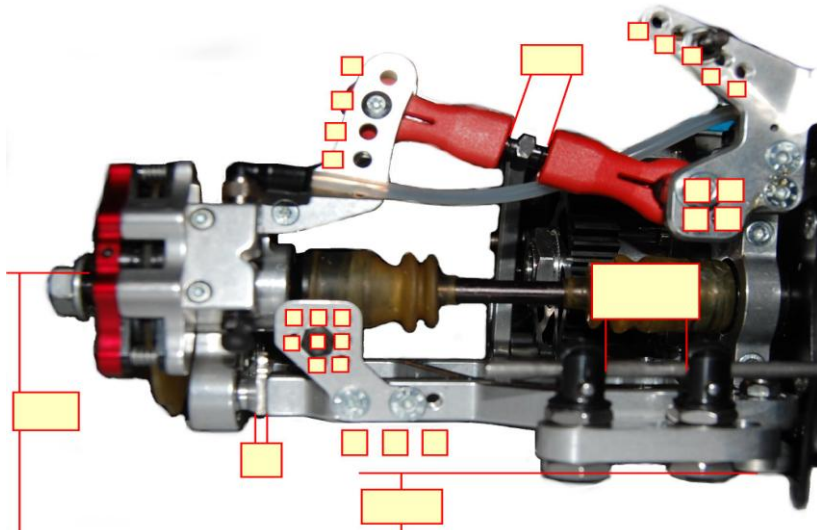
Piston

Oil

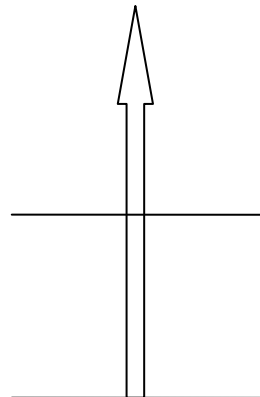
Click Shocks

C R

Rear Axle



Tyres



Comments